

# The GLE

Sport Utility Vehicle



Mercedes-Benz



A silver Mercedes-Benz GLE SUV is shown from a rear three-quarter view, driving on a two-lane road towards a railroad crossing. The road has white markings, including a large 'S' and '45' on the left lane. In the distance, another SUV is visible. The background features a desert landscape with mountains under a blue sky with scattered clouds. A railroad crossing sign with 'RAILROAD CROSSING' and '2' is visible on the right side of the road. The overall scene conveys a sense of motion and adventure.

The shape of success.  
In a whole new dimension.

More intelligent and attentive than ever – the new GLE shows  
the SUV in a whole new light.



Consummate design  
from any angle.

To take a step back at the appropriate moment and then be right there the next when it matters – that is the art of the GLE design. The AMG Line lends the new GLE a distinctively sporty appearance.



## Follow your intuition.

The new GLE is the first SUV to feature the revolutionary MBUX infotainment system. It includes a natural voice control system and a touchscreen. And it learns more about the driver's habits and preferences on every trip.

## The AMG Line.

The expressive styling of the AMG Line exterior adds a thoroughly dynamic touch to your vehicle. For a clear distinction from the base model. Allowing you to make a clear statement in support of powerful design. The AMG Line interior lends your vehicle a more visible and tangible sense of sportiness. With it, you make a clear statement and show immediately what matters to you: an ambience that is dynamic and exclusive in every detail.



## The EXCLUSIVE Interior design and equipment line.

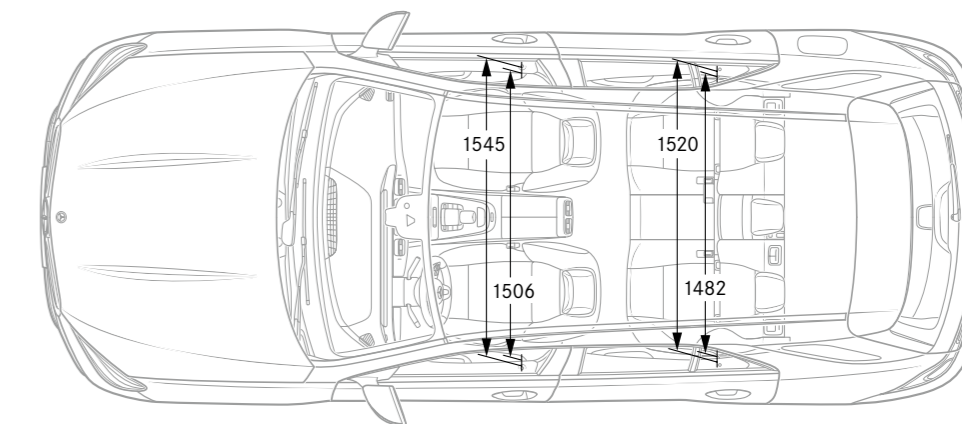
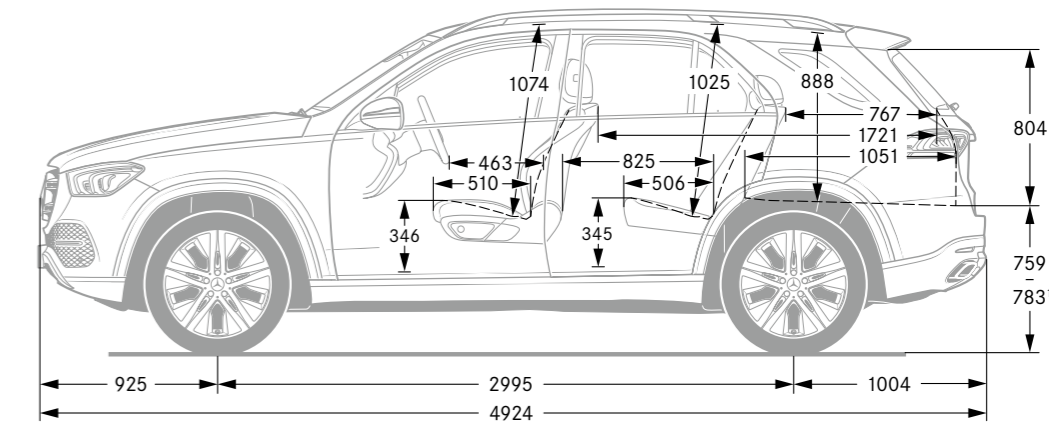
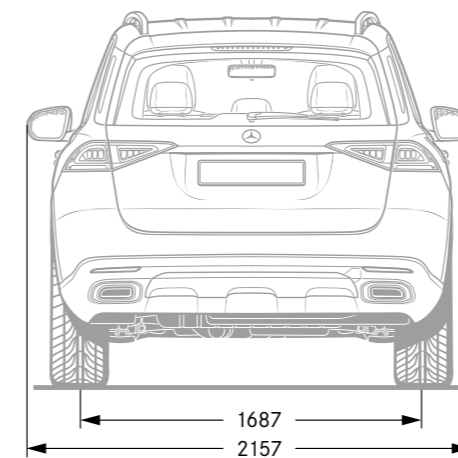
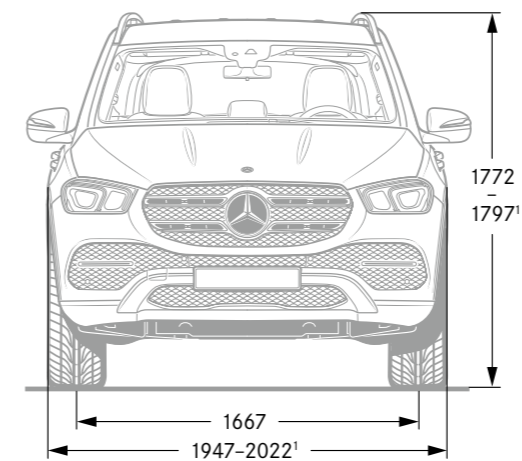
The EXCLUSIVE Interior allows you to show what matters to you: the utmost in elegance and top-class quality down to the most minute detail. The luxurious highlights and fine ambience of your interior will bring you a whole new sense of joy every day and reflect your good taste.

## Technical data.

	<b>GLE 450</b>
Displacement (cc)	2999
Rated output (hp) at rpm	367 / 5.500
Torque (Nm) at rpm	500 / 1600 - 4500
Acceleration from 0 to 100 km/h (s)	5,7
Top speed (km/h)	250
Fuel consumption (l/100 km) Combined	9.1-8.5
Luggage capacity (l)	630
Fuel tank capacity (l)	85

The best for the engine:  
Mercedes-Benz genuine engine oils.

## Dimensions.



At minimum to maximum height with steel suspension. All figures in millimetres. The illustrated dimensions are averages. They are valid for vehicles in basic specification and in unladen condition.

Please note: changes may have been made to the product since the editorial deadline 01.04.2020. The manufacturer reserves the right to make changes to the design, form, colour and the product specification during the delivery period, provided these changes, while taking into account the interests of the vendor, can be deemed reasonable with respect to the purchaser. Where the seller or the manufacturer uses symbols or numbers to describe an order or the subject of an order, no rights may be derived solely from these. The illustrations may show accessories and items of optional

Data and some optional equipment in this document may not be part of the model's local specification and are subject to change without prior notification.

Mercedes-Benz Egypt S.A.E., 90 South Road, 5th Settlement, 11835 New Cairo, Egypt · 02-0920 subject of an order, no rights may be derived solely from these. The illustrations may show accessories and items of optional equipment which are not part of standard specification. For the definitive latest information, please contact your nearest authorised Mercedes-Benz AG dealer.

16362



مرسيدس-بنز إيجيبت ش.م.م

[www.mercedes-benz.com.eg](http://www.mercedes-benz.com.eg)